

OCTOPUS COMPACT



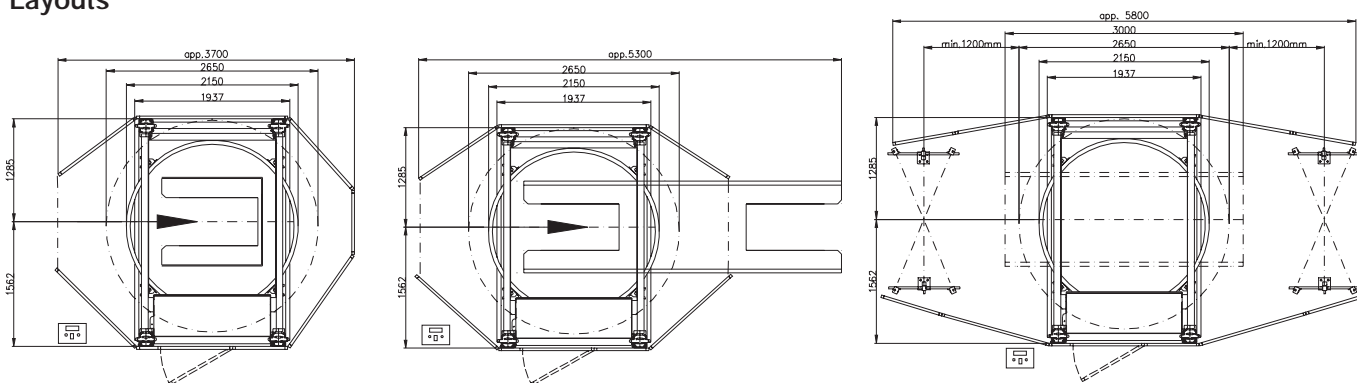
OCTOPUS COMPACT

Fully automatic wrapping machine for pallet loads

Octopus Compact is the first of a new generation of stretch wrapping machines that can offer ring wrapping technology for semi-automatic use or where low capacity automation is best suited. The Octopus Compact has the price level of rotating arm and turntable machines, whilst offering the lowest possible consumable and maintenance costs.

Octopus Compact is an ideal solution for unstable pallet loads with production capacity up to 35 pallets/hour. The machine is equipped with an automatic Tail Tucker system, which inserts the film tail under the previous film layer in the end of the wrapping cycle. Octopus Compact can be used as a semi-automatic solution without conveyors or as a wrapping station with some conveyors or combined to an existing wrapping line.

Layouts



Semi-automatic wrapping station

Roll in - roll out wrapping station

Fully automatic wrapping line

Technical specification

Capacity: up to 35 pallets/h
depending on pallet height, wrapping program and wrapping conveyor speed

Load dimensions (mm)
L x W: max. 1200x1000, 1200x 800
Height: max. 2400
(conveyor height + pallet height)

Transport dimensions: 2940 x 2170 x 1150 (LxWxH)
1300 kg

Film reel
Width: 500 mm
Max. diameter 260 mm
Core diameter 76 mm
Film thickness 17-30 µm

Max. power requirement: 5.0 kW
Voltage: 3x380 VAC/50 Hz, 3x400 VAC/50 Hz
3 x 415 VAC/50 Hz

Control voltage: 24 VDC
Compressed air: 0.6 Mpa, max 9 l/cycle
Noise level: < 76 dB (A)



Power Pre Stretch carriage is equipped with one set of PPS gears (150 %, 220 % or 260 %).

Control panel is mounted on a portable stand.



The company reserves right to make technical changes without prior notification. The machine is illustrated without guarding for sales purposes. Ref. 19GB 10/2004